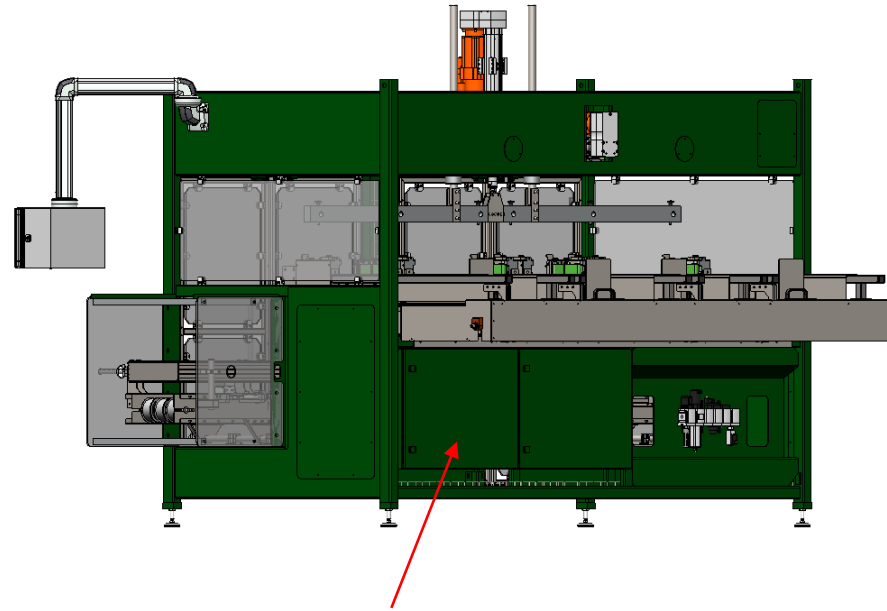
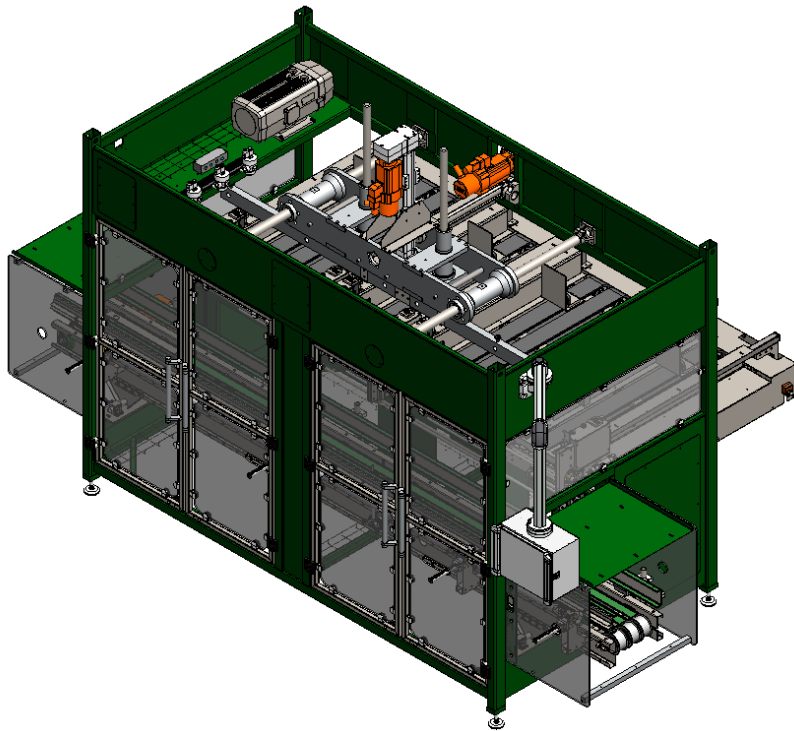


DIVIPEX PARTITION INSERTER



DIVIPEX PARTITION INSERTER

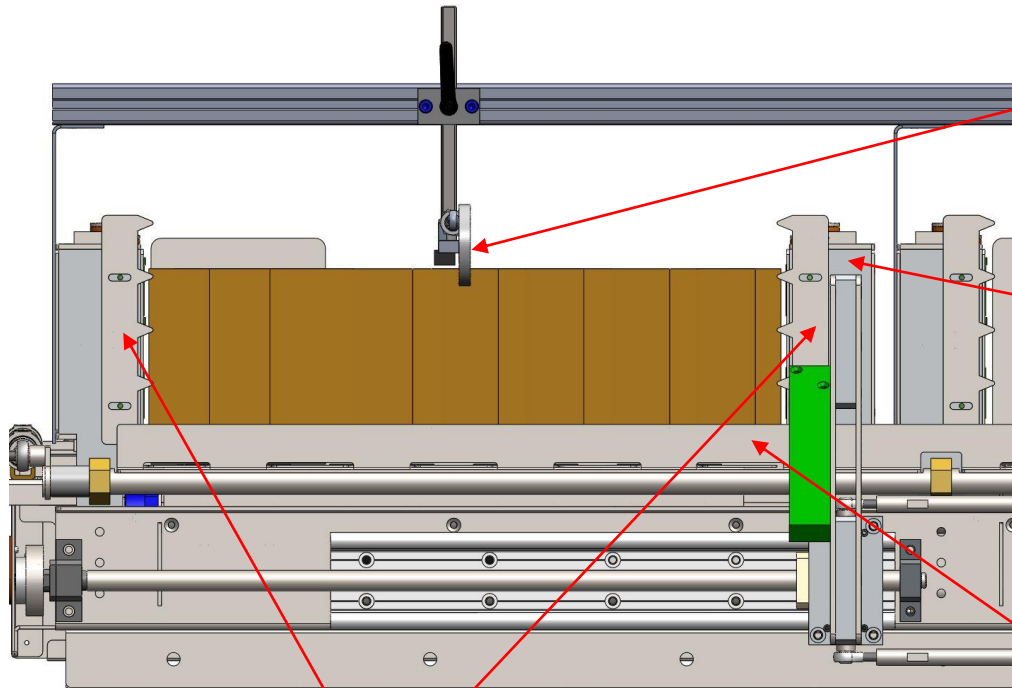
Compact design



Control cabinet integrated

DIVIPEX PARTITION INSERTER

Tray magazines easily adjustable



Pneumatically actuated
compartment retainers

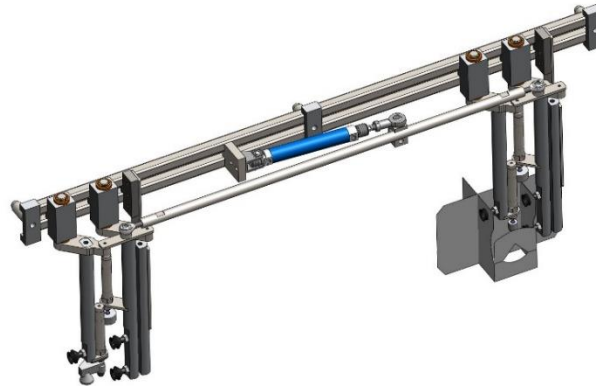
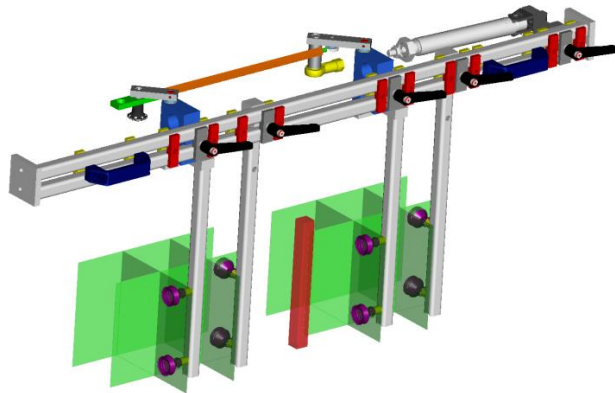
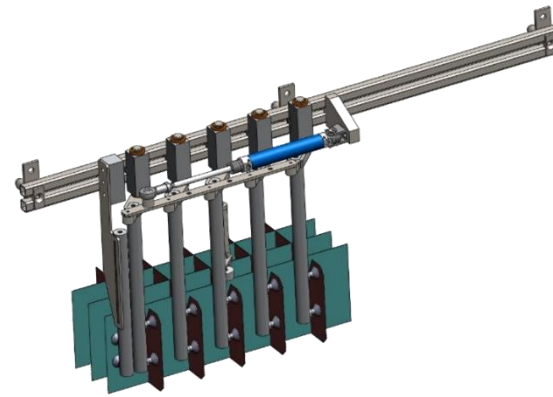
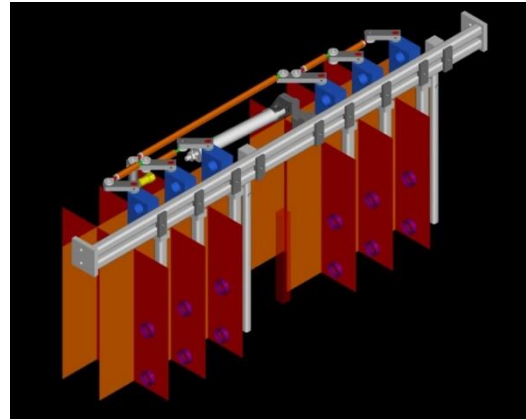
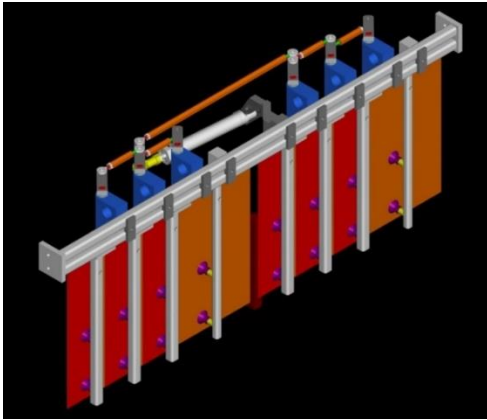
Adjustment of the lateral
guide via spindle system

Lower pivoting retaining
flap

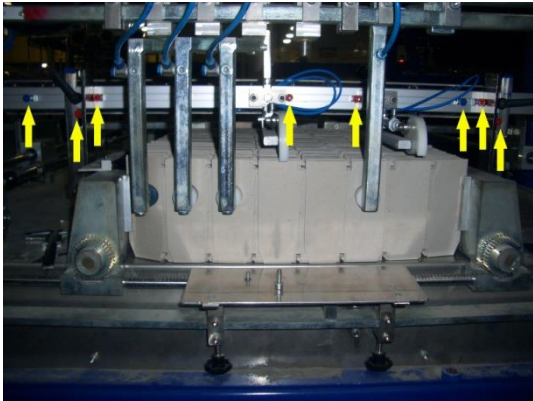
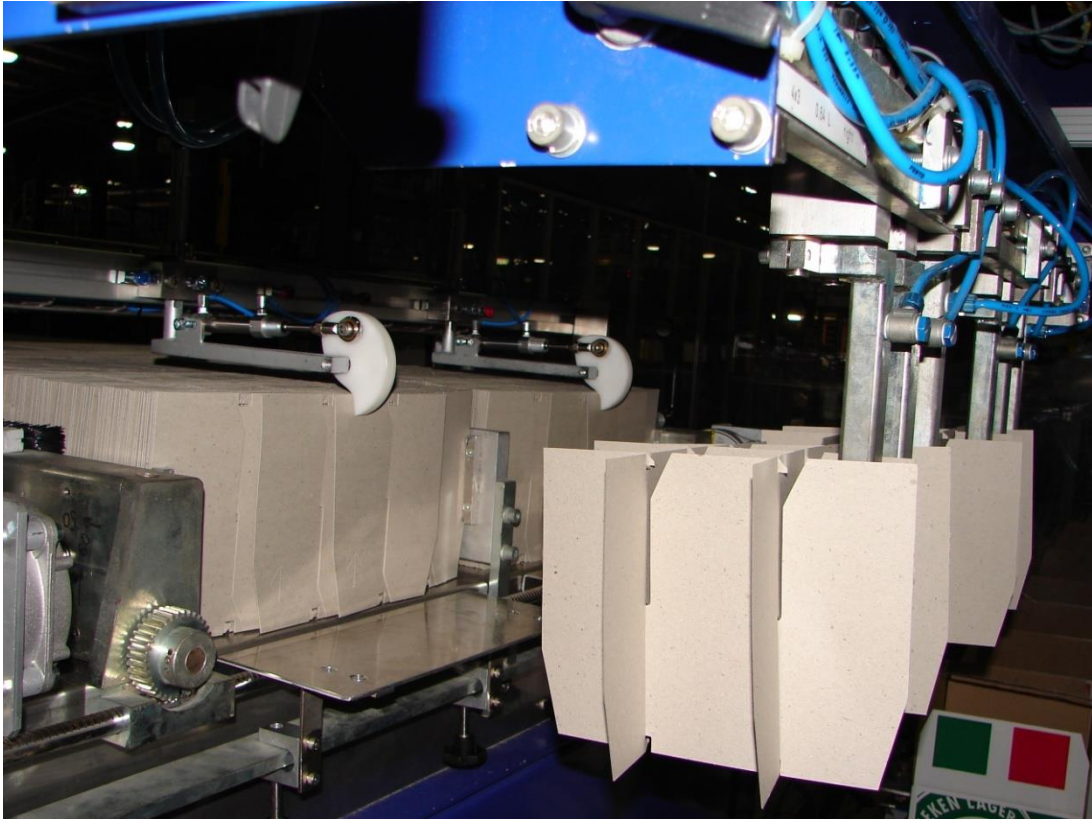
Lateral fixation and retainer

DIVIPEX PARTITION INSERTER

Special folding tools for all format sizes

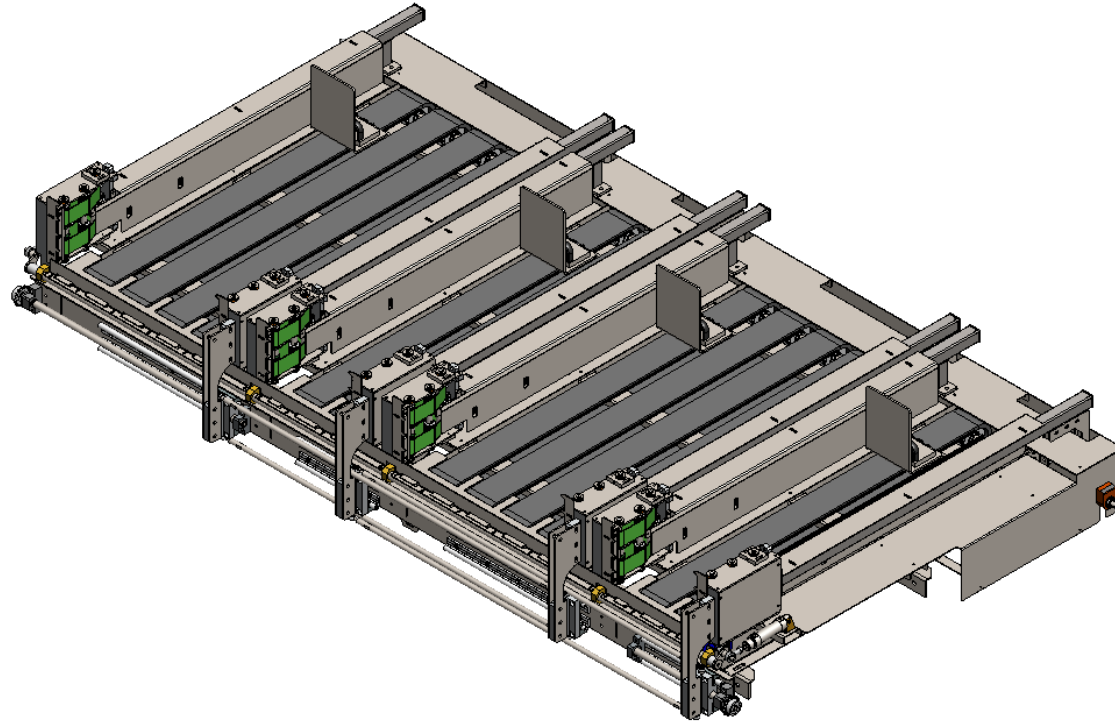


DIVIPEX PARTITION INSERTER



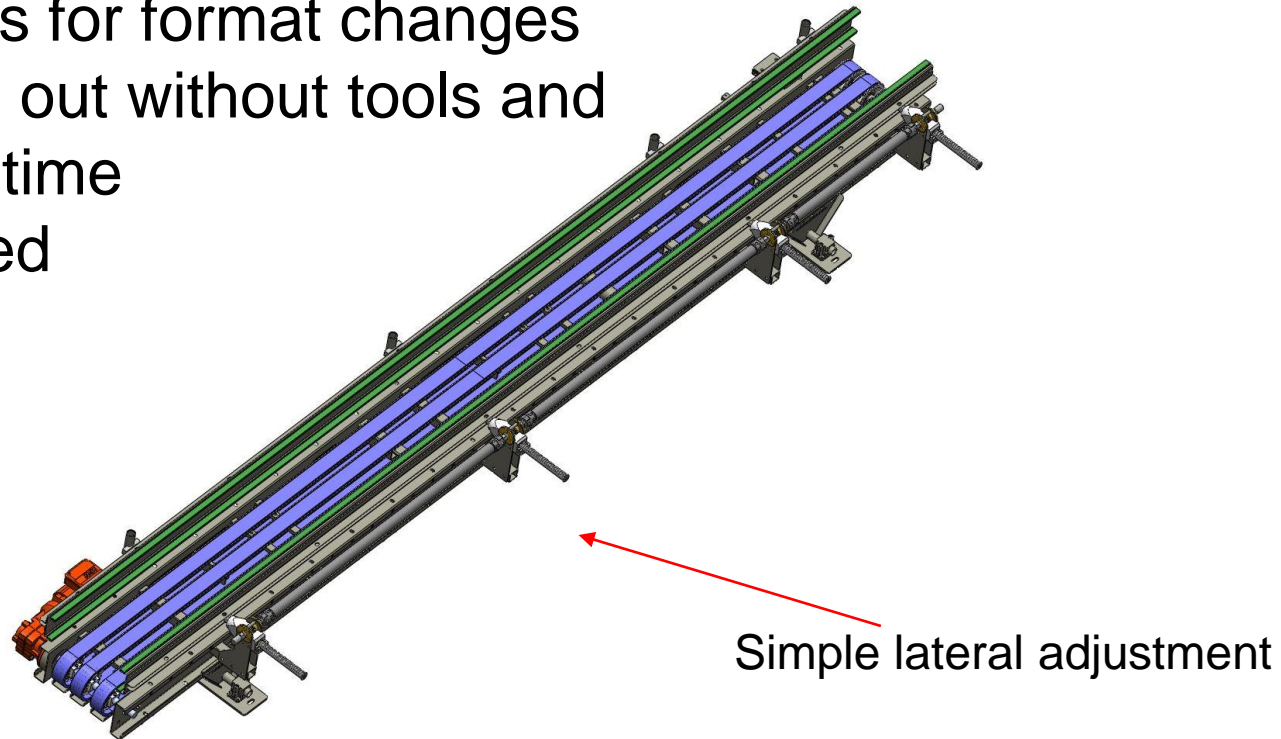
DIVIPEX PARTITION INSERTER

Adjustable magazine in 2- and 4-lane operation to cover further format diversity

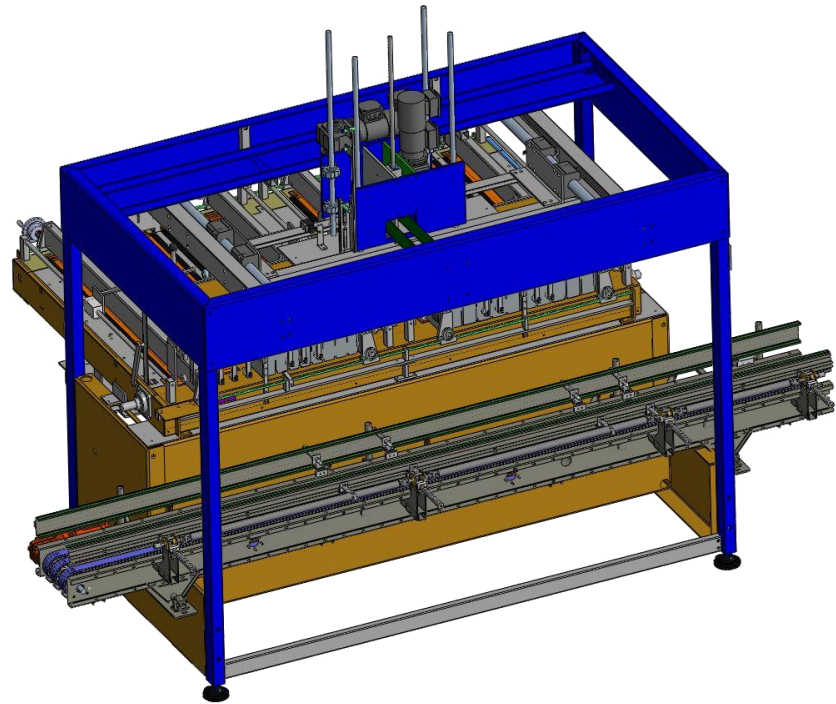


Belt conveyor with stopper for carton fixation

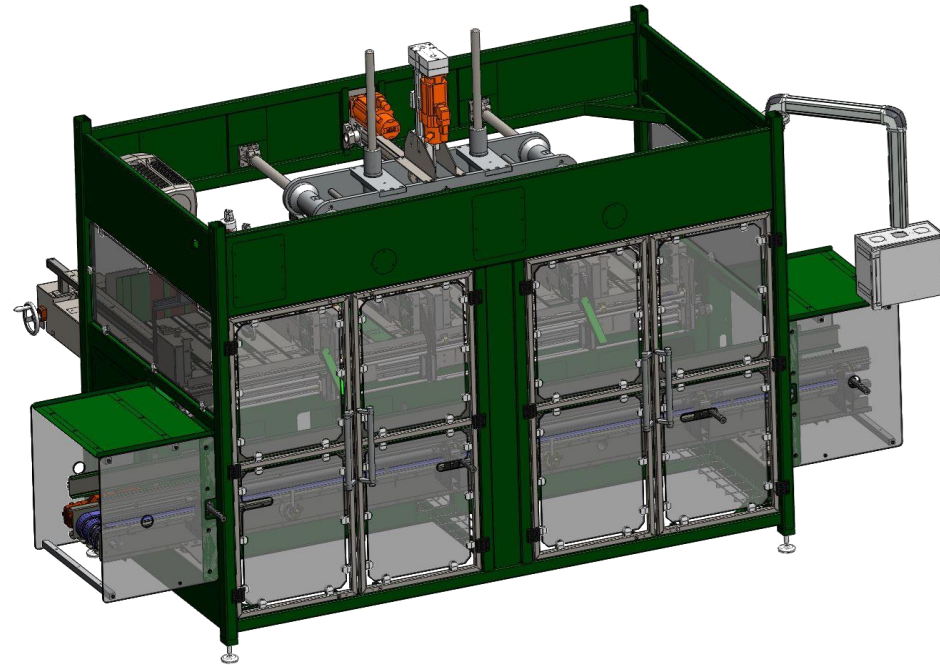
All adjustments for format changes can be carried out without tools and in a short time be implemented



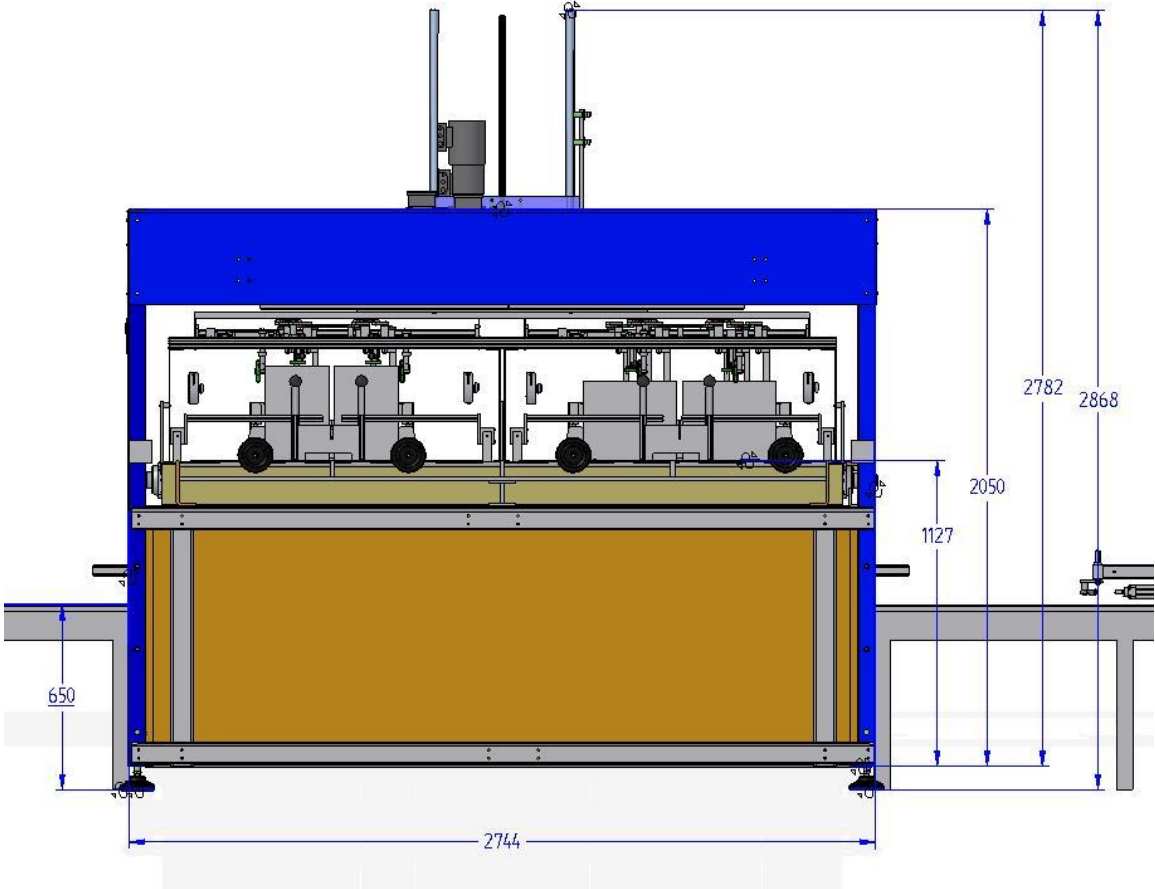
DIVIPEX PARTITION INSERTER



Vacuum generation by pump
or ejectors possible.
Vacuum monitoring can be integrated



DIVIPEX PARTITION INSERTER



Schuy + Folmeg Maschinenbau GmbH

Johann-Pülsch-Str. 5

36088 Hünfeld

Deutschland / Germany

Tel.: +49 (0) 6652 606-0

Fax: +49 (0) 6652 606-90

eMail: office@schuy.com

www: <http://www.schuy.com>

